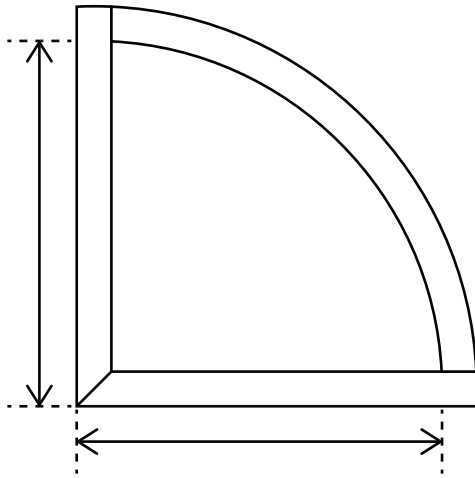
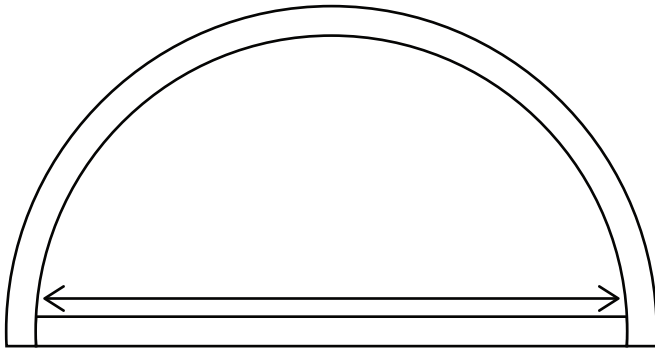


# How to Measure for Curved Window Casing



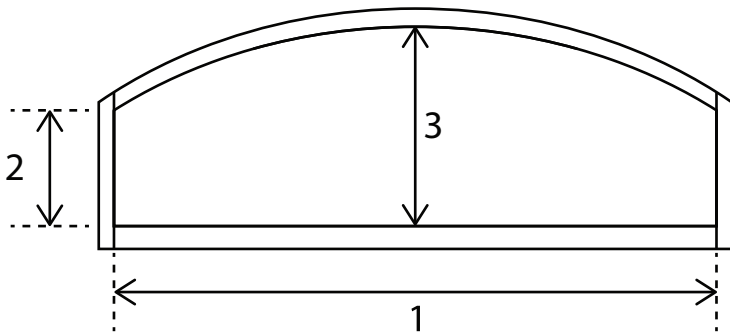
## Quarter Circles

Measure **OUTSIDE** of straight leg to **INSIDE** of curved jamb in both directions



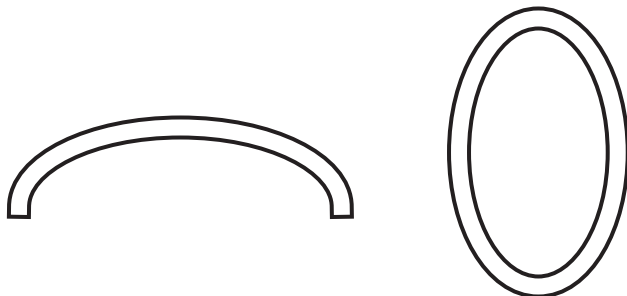
## Half Circles

Measure the inside diameter inside jamb to inside jamb



## Arches

1. Measure base inside jamb to inside jamb
2. Measure short leg inside to inside
3. Measure center height inside to inside



## Ellipticals and Ovals

In most cases we must have a template